

GREENKISS

Eco-responsible furniture

Vao 250

Sofa



Finishes of the above picture



Wood
Ashwood with
acetic finish



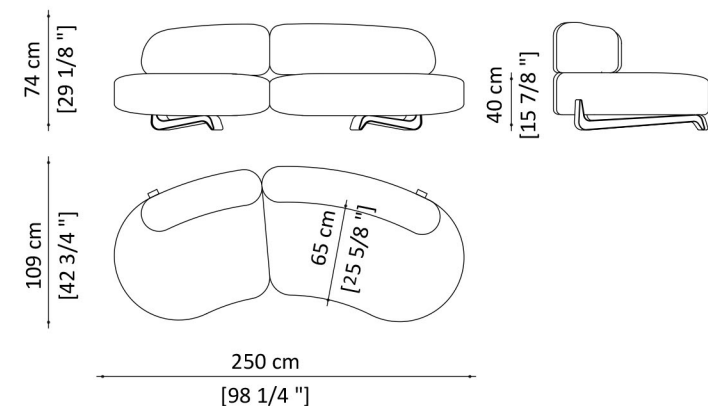
Fabric
Wool Bouclè
Col. 03 Linen

Divanetto dalle forme rotondeggianti, poggia su una struttura con gambe realizzate in frassino tinto noce, derivante dalla filiera del legno ecosostenibile, le cui imperfezioni assumono un'evidenza estetica preponderante. Su richiesta la struttura può essere arricchita da un inserto decorativo in tessuto realizzato con fibra di foglie di banana. Imbottitura realizzata con gomma biologiche e autoestinguenti, cuffia in ovatta naturale e cinghie elastiche in iuta. Rivestimento non sfoderabile in lana bouclè, tessuto misto lino o lino.

Sofa with well-rounded lines supported by a structure with legs made of discarded eco-friendly solid ash with acetic finish, whose imperfections give it a striking aesthetic appearance. On request the structure features a decorative fabric insert made of banana leaf fibre. Padding made with eco-friendly and self-extinguishing rubber, batting made of natural wadding, and straps made of jute. Upholstered with natural bouclè wool, linen-blended fabric or linen. This upholstery cannot be removed.



SOFA 250



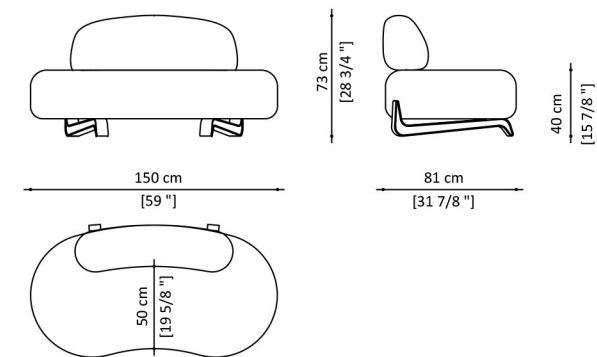
BLENDED LINEN / IPA LINEN | SED.VAOS.120.SUP

Basement in ash wood with acetic finish
Covered in blended linen or linen fabric

BOUCLE' WOOL / CHENILLE | SED.VAOS.120.DEL

Basement in ash wood with acetic finish
Covered in bouclè wool fabric or chenille fabric

LOVE SEAT 150



BLENDED LINEN / IPA LINEN | SED.VAOS.130.SUP

Basement in ash wood with acetic finish
Covered in blended linen or linen fabric

BOUCLE' WOOL / CHENILLE | SED.VAOS.130.DEL

Basement in ash wood with acetic finish
Covered in bouclè wool fabric or chenille fabric